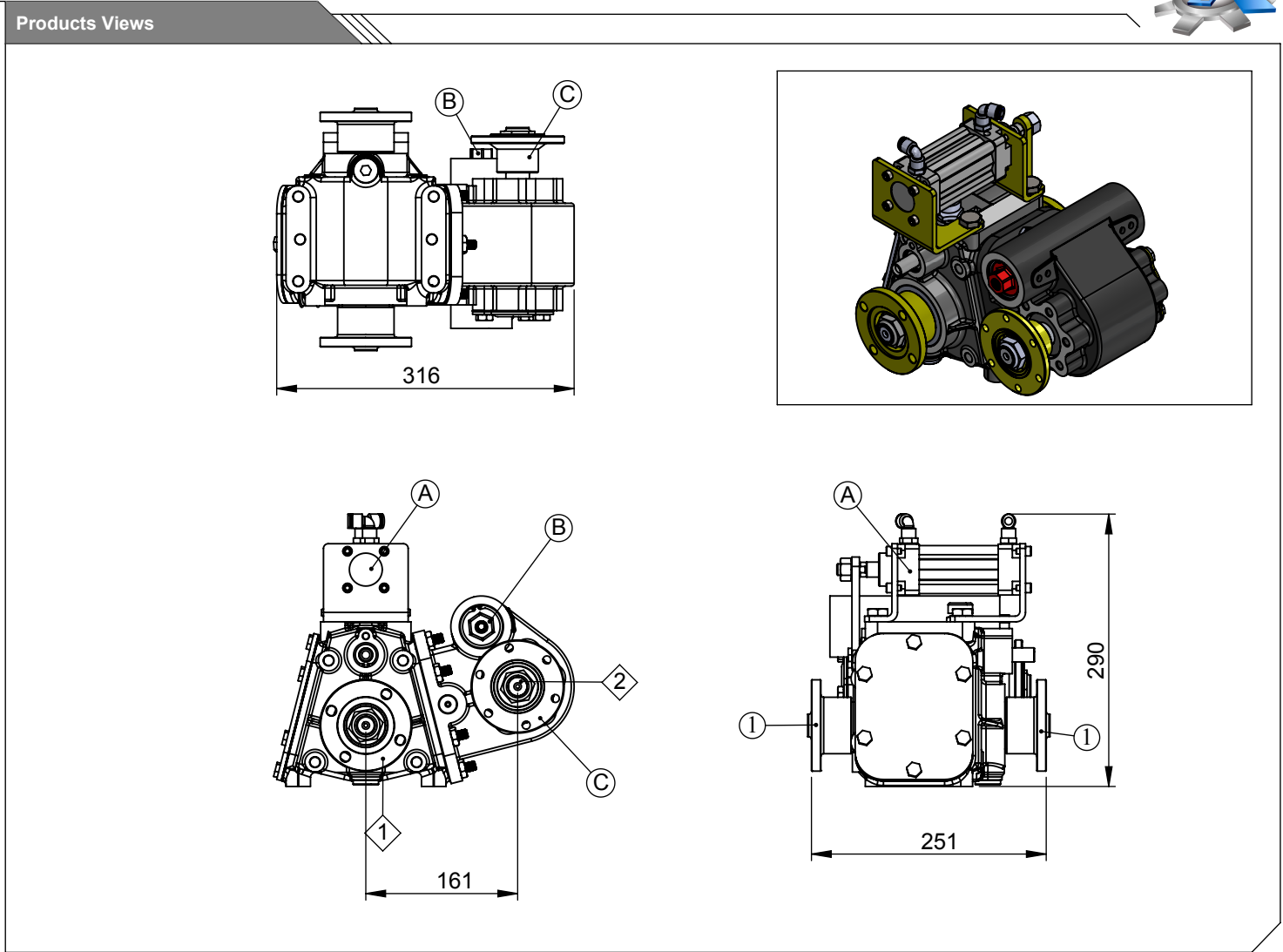


Vehicle Type	FORD TRANSIT, MERCEDES SPRINTER, VOLKSWAGEN, KIA BONGO, OPEL, FIAT BOXER
Gearbox Type	Horizontal Split Shaft PTO

Product Code	UARA.210.1.H
---------------------	---------------------



Component Details	<p>A: Ara Şanzıman Kontrol (Havalı) B: P.T.Ö. Kontrol (Havalı) C: DIN 5463 (6x21x25)</p>	<p>A: Split Shaft Unit Control (Pneumatic) B: PTO'S Control (Pneumatic) C: DIN 5463 (6x21x25)</p>
--------------------------	--	---

Technical Details						
Outputs	Max. Power	Max. Torque		Internal Ratio	Mounting Side	Control Type
	@1000 rpm	Nm	kgm			
1			210	1/1	Split Shaft	Pneumatic
2	37 kW		36	1/1.42		
3					Weight	Sense of Rotation
					30 kg	Same as Input